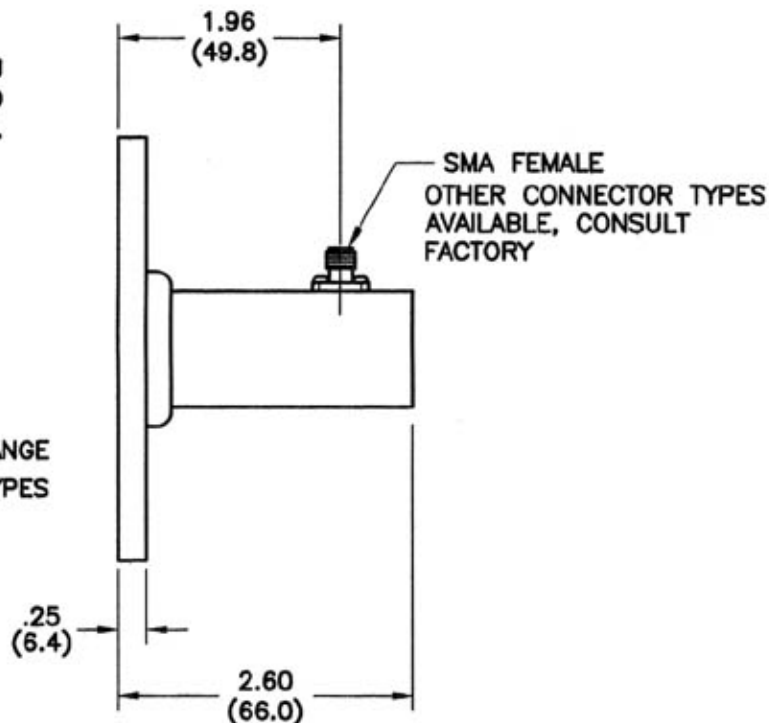
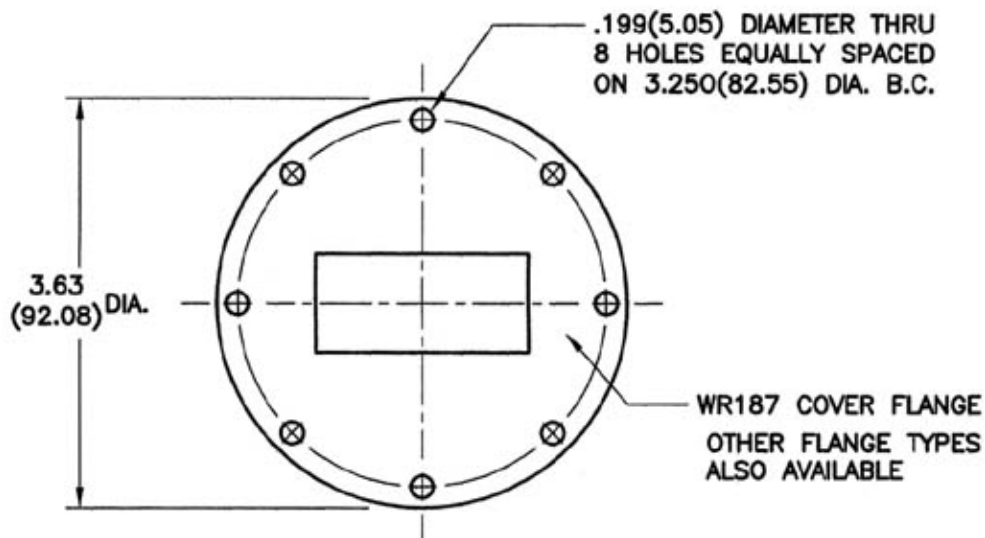


REVISIONS				
REV	ZONE	DESCRIPTION	DATE	BY ECO



SPECIFICATIONS

FREQUENCY RANGE: 3.95 TO 5.85 GHz
 INSERTION LOSS: 0.17 dB MAX.
 VSWR: 1.15:1 NOM., 1.25:1 MAX. (ENTIRE BAND)
 POWER RATING: 50 W. AVG., 3.0 kW PEAK
 CONNECTOR: SMA FEMALE
 MATERIAL: ALUMINUM, STD. - BRASS OR COPPER AVAILABLE
 FINISH: YELLOW CHROMATE (IRIDITE) PAINTED FINISHES AVAILABLE

DIMENSIONS: INCHES
(MILLIMETERS)

TOLERANCES		THE INFORMATION CONTAINED IN THIS DOCUMENT IS THE PROPERTY OF MICROWAVE DEVICES, INC. AND IS PROPRIETARY. IT IS NOT TO BE COPIED OR USED FOR ANY PURPOSE OTHER THAN AS INSTRUCTED, IN WRITING, BY MICROWAVE DEVICES, INC.	SIGNATURES		DATE
DEC.XX ± .03	FRAC ±		DR	G.V. Cothron	6-11-09
.XXX ± .010	ANG ±		CHK		
MATERIAL		APPD			
FINISH		APPD			

MICROWAVE DEVICES
RF and Microwave Components

ADAPTER, WAVEGUIDE TO
COAX, WA187-SF-C

CAGE CODE 60674 B SIZE B DRAWING NO. 900809

DRAWING SCALE 1=1 SHEET 1 OF 1

CONTACT: MICROWAVE DEVICES - 1150 N. GRAHAM RD.
FRANKLIN, IN 48131 (317) 736-8833

DIMENSIONS ARE IN INCHES UNLESS OTHERWISE SPECIFIED.